

XCAL-Pu12 Benchmarking (Chipset, Mobile, System, Operators...)

Versatile 3-in-1 Benchmarking Platform up to 12UEs

XCAL-PU12 packages drive test, unattended benchmarking and an in-building test solution into a compact, lightweight and powerful tool.

The Pu12 can support up to 12 mobile phones that can be provisioned to benchmark a range of competitors over all Key mobile access technologies like 5G, 2G, 3G, LTE, LTE-A(CA ~ 6CA), PS-LTE(MCPTT), eMTC(Cat.M1) and NB-IoT. Thanks to its light weight chassis, it is suitable for walk test.

Use XCAL-Pu12 to

- Perform both manual and autonomous competitive network benchmarking and troubleshooting
- Conduct a wide range of application testing and application performance analysis
- Monitor and improve
 - : Web browsing – HTML
 - : Mobile Messaging – SMS
 - : Downloads and Uploads – FTP/iPerf
 - : Streaming Video and audio – YouTube
 - : mVoIP and VoLTE

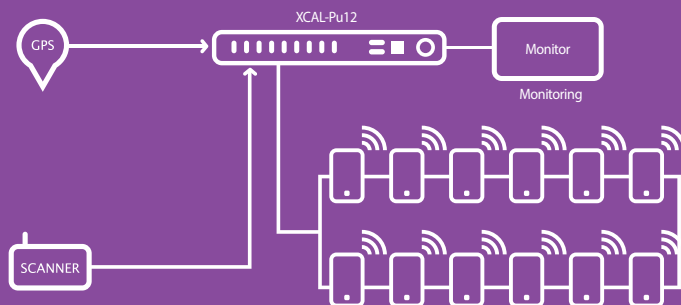
Benefits

- The Pu12 guarantees the best possible mobile experience on the network to ensure customer satisfaction.
- Coupled with XCAP-Vuze, AEGIS, the Pu12 can also be used in end to end network performance assessment and network auditing
 - : Streamlined network application testing
 - : Reduced costs – ‘all in one’ platform means that the Pu12 can be used to perform a variety of tests on one scalable platform
 - : Increase test accuracy and detail
 - : Monitoring the most important live services
 - : Improved time to market for new services
- Perform standard-based Voice MOS Tests

XCAL-Smart applicable

- App execution and result reporting by device.
- Auto control of Voice/Data Call
- Automation of app execution and operating test APP.
- Collecting RF information through API
- Real-time communication with DM through ADB connection

XCAL-PU12 System Configuration



Features

- Interfacing with various devices
 - : Mobile Phone, USB Modem (Smart phone : up to 12 / USB modem : 2)
 - : GPS (1 unit)
 - : Scanner (2unit)
 - Backpack carryable, High mobility for walking test
 - External Battery pack applicable
 - Support standard based MOS test
 - Support various QoS algorithm
 - : PESQ : P862, P862-1, P862-2
 - : POLQA : P863 Narrow Band & Wide Band
- * XCAL-Smart function supportable (recommended)

Title	Spec	Note
Power Input	DC 24V	
Power Consumption	Stand-by < 10W (MCU Stand-by) Stand-by < 60W (CPU Stand-by) Maximum < 240W	
CPU	Intel Core i7-7Gen. 2.8GHz x2	
SSD/Memory	512GByte x2 / 16GByte x2	
External Interface	USB 3.1 Gen2 x 4ports 1Gbps LAN x 2ports Master Phone Interface x12	
Phone Interface	Connector : USB 3.1 Gen2	Maximum : 12 ports
Size	228 x 46.5 160 (mm, W x H x D)	
Weight	1.56kg	

XCAL-PU12

Benchmarking (Chipset, Mobile, System, Operators...)



OPTis-PU12 inside of Sack



**Max.12 5G-NR
Mobile Phone**



Regional offices

South Korea (HQ)

Innowireless Co., Ltd.
Sales :
salesteam@innowireless.co.kr
Tel : +82-31-788-1700

USA

Accuver Americas, Inc.
Sales :
sales.usa@accuver.com
Tech Support :
support.usa@accuver.com
Tel : +1-469-241-6100
Fax : +1-469-241-6199

UK

Accuver EMEA Ltd.
Sales :
sales.emea@accuver.com
Tech Support :
support.emea@accuver.com
Tel : +44-203-457-4486

Poland

Accuver EMEA Sp.
Sales :
sales.emea@accuver.com
Tech Support :
support.emea@accuver.com
Tel : +44-203-457-4486

Japan

Accuver Co., Ltd.
Sales :
sales@accuver.jp
Tech Support :
inquiry_aj@accuver.jp
Tel : +81-3-6430-2581
Fax : +81-3-6430-2589
Website : www.accuver.jp

Hong Kong

Accuver APAC Ltd.
Sales :
sales.apac@accuver.com
Tech Support :
support.apac@accuver.com
Tel : +852-2210-7004
Fax : +852-2210-7017